



FAN7711

Ballast Control IC

Features

- Floating Channel for Bootstrap Operation to +600V
- Low Start-up and Operating Current: 120 μ A, 3.2mA
- Under-Voltage Lockout with 1.8V of Hysteresis
- Adjustable Run Frequency and Preheat Time
- Internal Active ZVS Control
- Internal Protection Function (Latch Mode)
- Internal Clamping Zener Diode
- High Accuracy Oscillator
- Soft-Start Functionality

Description

The FAN7711, developed using Fairchild's unique high-voltage process, is a ballast control integrated circuit (IC) for a fluorescent lamp. FAN7711 incorporates a preheating / ignition function, controlled by an user-selected external capacitor, to increase lamp life. The FAN7711 detects switch operation from after ignition mode through an internal active Zero-Voltage Switching (ZVS) control circuit. This control scheme enables the FAN7711 to detect an open-lamp condition, without the expense of external circuitry, and prevents stress on MOSFETs. The high-side driver built into the FAN7711 has a common-mode noise cancellation circuit that provides robust operation against high-dv/dt noise intrusion.

Applications

- Electronic Ballast

8-SOP



8-DIP



Ordering Information

Part Number	Package	Pb-Free	Operating Temperature Range	Packing Method
FAN7711N	8-DIP	Yes	-25°C ~ 125°C	Tube
FAN7711M	8-SOP			Tube
FAN7711MX				Tape & Reel

Typical Application Diagrams

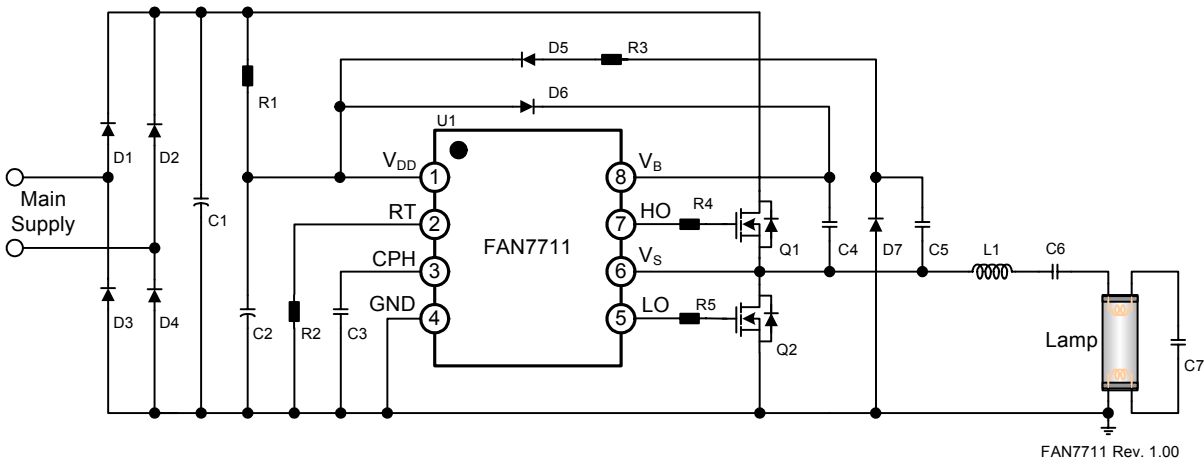


Figure 1. Typical Application Circuit for Compact Fluorescent Lamp

Internal Block Diagram

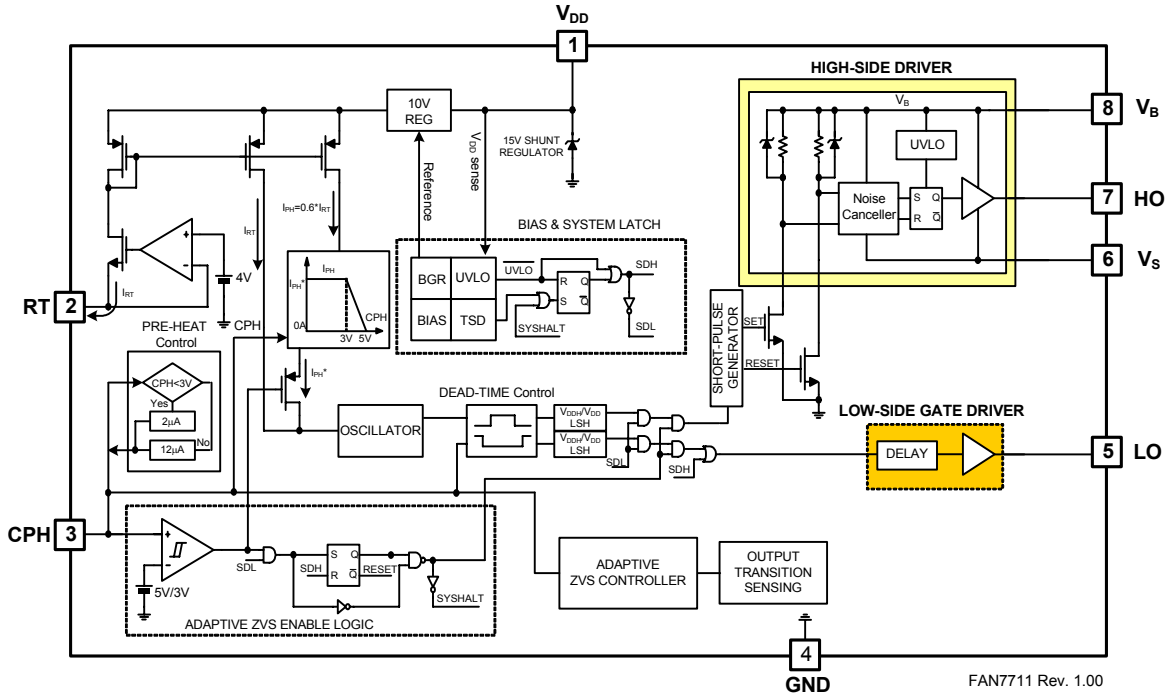


Figure 2. Functional Block Diagram

Pin Configuration

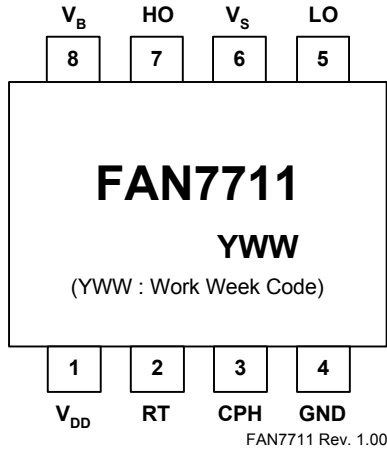


Figure 3. Pin Configuration (Top View)

Pin Definitions

Pin #	Name	Description
1	V _{DD}	Supply voltage
2	RT	Oscillator frequency set resistor
3	CPH	Preheating time set capacitor
4	GND	Ground
5	LO	Low-side output
6	V _S	High-side floating supply return
7	HO	High-side output
8	V _B	High-side floating supply

Absolute Maximum Ratings

Stresses exceeding the absolute maximum ratings may damage the device. The device may not function or be operable above the recommended operating conditions and stressing the parts to these levels is not recommended. In addition, extended exposure to stresses above the recommended operating conditions may affect device reliability. The absolute maximum ratings are stress ratings only. $T_A=25^{\circ}\text{C}$ unless otherwise specified.

Symbol	Parameter	Min.	Typ.	Max.	Unit
V_B	High-side floating supply	-0.3		625	V
V_S	High-side floating supply return	-0.3		600	V
V_{IN}	RT, CPH pins input voltage	-0.3		8	V
I_{CL}	Clamping current level			25	mA
dV_S/dt	Allowable offset voltage slew rate		50		V/s
T_A	Operating temperature range	-25		125	$^{\circ}\text{C}$
T_{STG}	Storage temperature range	-65		150	$^{\circ}\text{C}$
P_D	Power dissipation	8-SOP	0.625		W
		8-DIP	1.2		
θ_{JA}	Thermal resistance (junction-to-air)	8-SOP	200		$^{\circ}\text{C/W}$
		8-DIP	100		

Note:

- Do not supply a low-impedance voltage source to the internal clamping Zener diode between the GND and the V_{DD} pin of this device.

Electrical Characteristics

$V_{BIAS} (V_{DD}, V_{BS}) = 15.0V$, $T_A = 25^\circ C$, unless otherwise specified.

Symbol	Characteristics	Condition	Min.	Typ.	Max.	Unit
Supply Voltage Section						
$V_{DDTH(ST+)}$	V_{DD} UVLO positive going threshold	V_{DD} increasing	12.4	13.4	14.4	V
$V_{DDTH(ST-)}$	V_{DD} UVLO negative going threshold	V_{DD} decreasing	10.8	11.6	12.4	
$V_{DDHY(ST)}$	V_{DD} -side UVLO hysteresis			1.8		
V_{CL}	Supply clamping voltage	$I_{DD} = 10mA$	14.8	15.2		
I_{ST}	Start-up supply current	$V_{DD} = 10V$		120	200	μA
I_{DD}	Dynamic operating supply current	50kHz, $C_L = 1nF$		3.2		mA
High-Side Supply Section (V_B-V_S)						
$V_{HSTH(ST+)}$	High-side UVLO positive going threshold	V_{BS} increasing	8.5	9.2	10.0	V
$V_{HSTH(ST-)}$	High-side UVLO negative going threshold	V_{BS} decreasing	7.9	8.6	9.5	
$V_{HSHY(ST)}$	High-side UVLO hysteresis			0.6		
I_{HST}	High-side quiescent supply current	$V_{BS} = 14V$		50		μA
I_{HD}	High-side dynamic operating supply current	50kHz, $C_L = 1nF$		1		mA
I_{LK}	Offset supply leakage current	$V_B = V_S = 600V$			45	μA
Oscillator Section						
V_{MPH}	CPH pin preheating voltage range		2.5	3.0	3.5	V
I_{PH}	CPH pin charging current during preheating	$V_{CPH} = 1V$	1.25	2.00	2.85	μA
I_{IG}	CPH pin charging current during ignition	$V_{CPH} = 4V$	8	12	16	
V_{MO}	CPH pin voltage level at running mode			7.0		V
f_{PRE}	Preheating frequency	$RT = 80k\Omega$, $V_{CPH} = 2V$	72	85	98	kHz
f_{OSC}	Running frequency	$RT = 80k\Omega$	48.7	53.0	57.3	kHz
DT_{MAX}	Maximum dead time	$V_{CPH} = 1V$, $V_S = GND$ during preheat mode		3.1		μs
DT_{MIN}	Minimum dead time	$V_{CPH} = 6V$, $V_S = GND$ during run mode		1.0		μs
Output Section						
I_{OH+}	High-side driver sourcing current	$PW = 10\mu s$	250	350		mA
I_{OH-}	High-side driver sinking current	$PW = 10\mu s$	500	650		
I_{OL+}	Low-side driver sourcing current	$PW = 10\mu s$	250	350		
I_{OL-}	Low-side driver sink current	$PW = 10\mu s$	500	650		
t_{HOR}	High-side driver turn-on rising time	$C_L = 1nF$, $V_{BS} = 15V$		45		ns
t_{HOL}	High-side driver turn-off rising time	$C_L = 1nF$, $V_{BS} = 15V$		25		
t_{LOR}	Low-side driver turn-on rising time	$C_L = 1nF$, $V_{BS} = 15V$		45		
t_{LOL}	Low-side driver turn-off rising time	$C_L = 1nF$, $V_{BS} = 15V$		25		
$V_S^{(2)}$	Maximum allowable negative V_S swing range for signal propagation to high-side output			-9.8		V

Electrical Characteristics (Continued)

$V_{BIAS} (V_{DD}, V_{BS}) = 15.0V$, $T_A = 25^\circ C$, unless otherwise specified.

Symbol	Characteristics	Condition	Min.	Typ.	Max.	Unit
Protection Section						
V_{CPHSD}	Shutdown voltage	$V_{RT} = 0$ after run mode	2.6			V
I_{SD}	Shutdown current			250		μA
TSD	Thermal shutdown ⁽²⁾			165		$^\circ C$

Note:

2. This parameter, although guaranteed, is not 100% tested in production.

Typical Characteristics

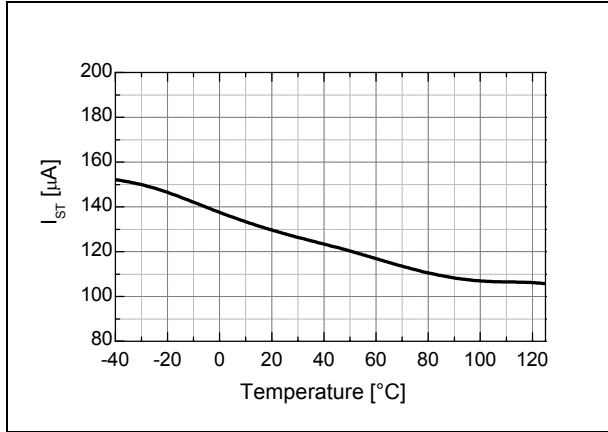


Figure 4. Start-Up Current vs. Temp.

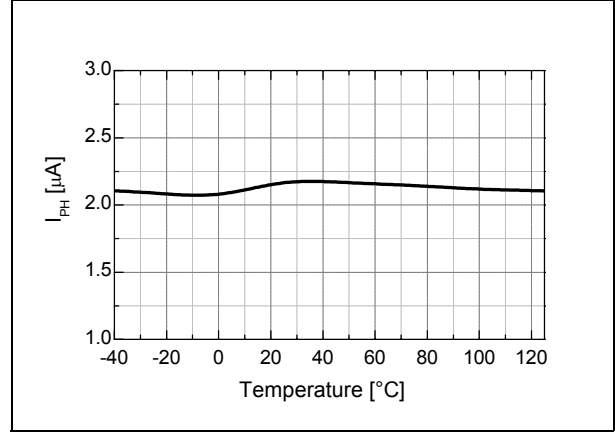


Figure 5. Preheating Current vs. Temp.

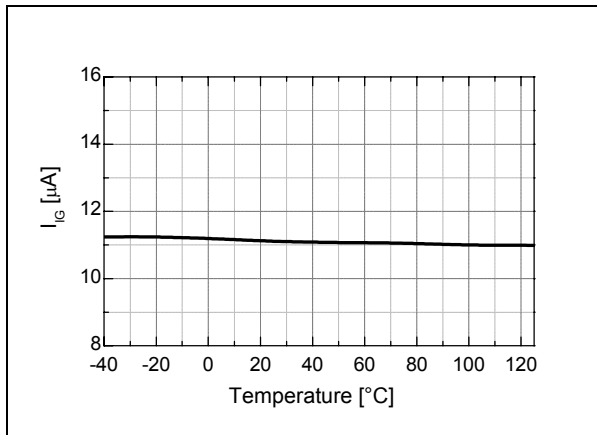


Figure 6. Ignition Current vs. Temp.

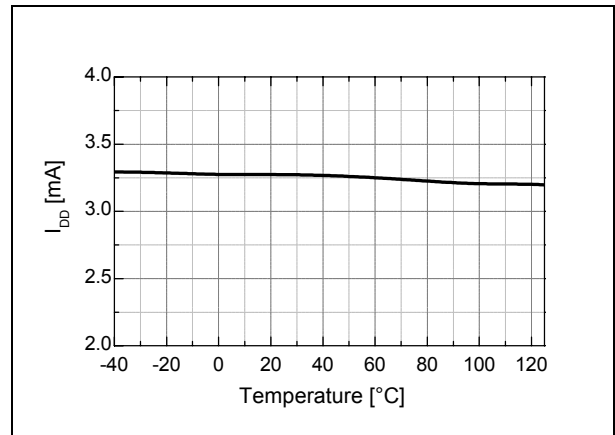


Figure 7. Operating Current vs. Temp.

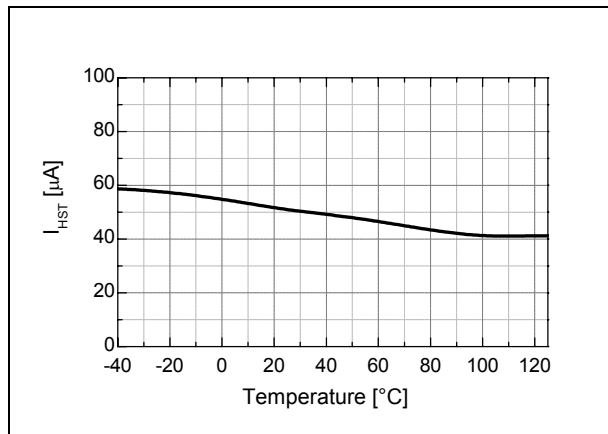


Figure 8. High-Side Quiescent Current vs. Temp.

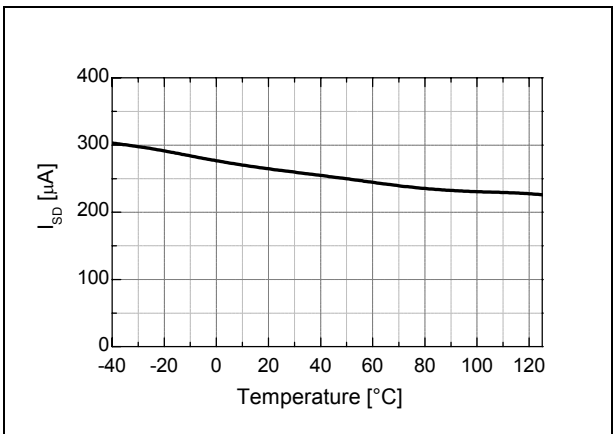


Figure 9. Shutdown Current vs. Temp.

Typical Characteristics (Continued)

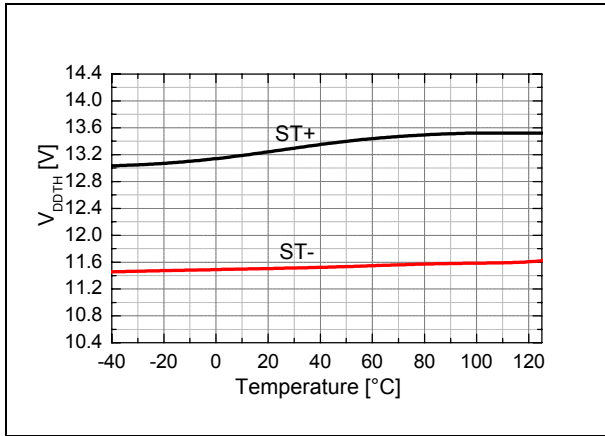


Figure 10. V_{DD} UVLO vs. Temp.

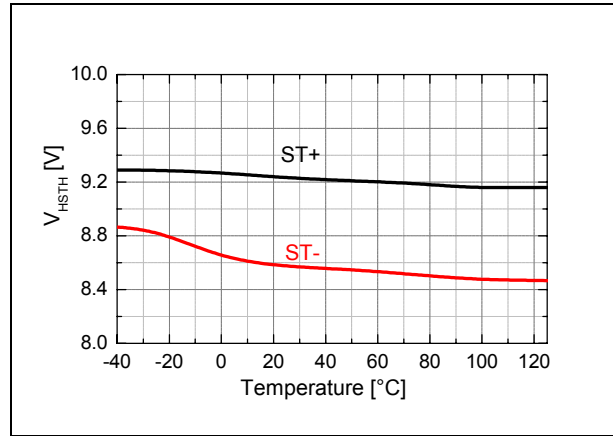


Figure 11. V_{BS} UVLO vs. Temp.

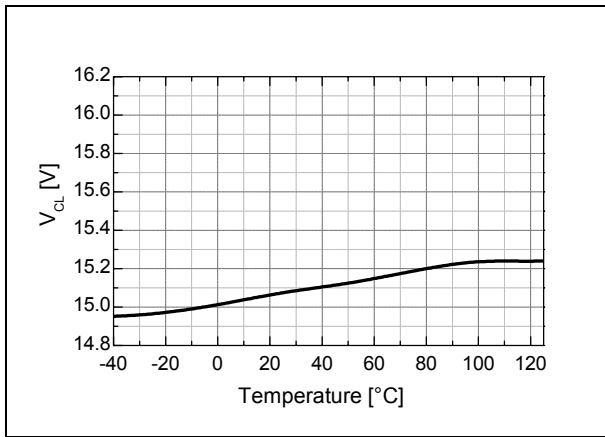


Figure 12. V_{DD} Clamp Voltage vs. Temp.

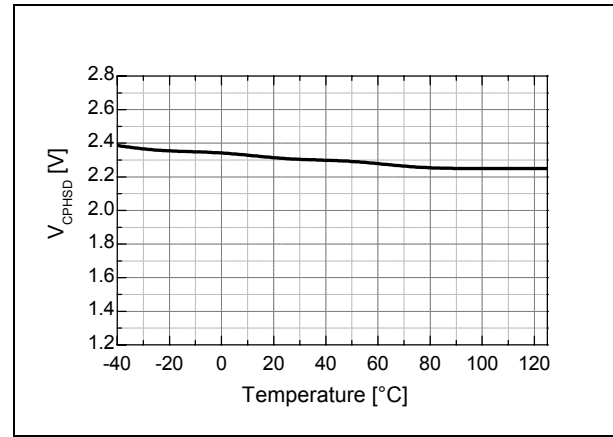


Figure 13. Shutdown Voltage vs. Temp.

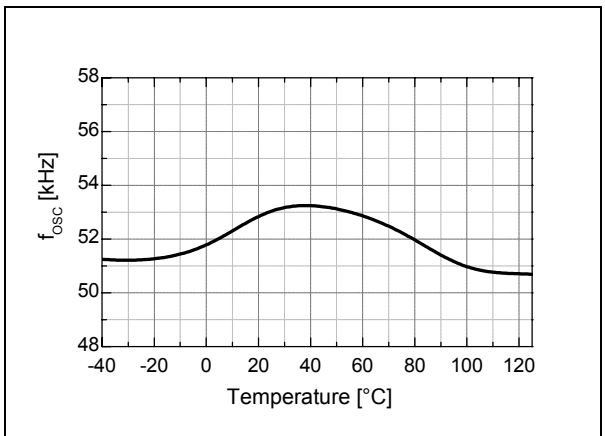


Figure 14. Running Frequency vs. Temp.

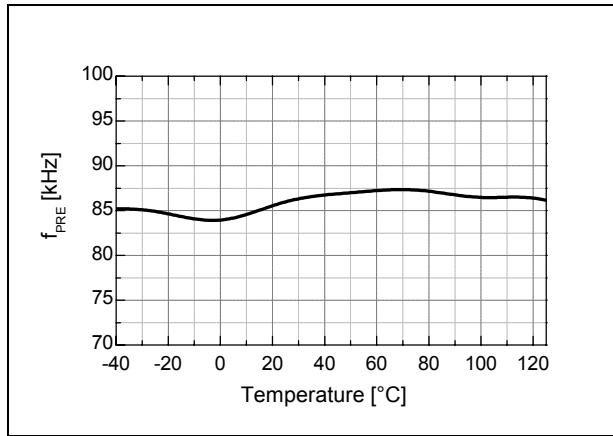


Figure 15. Preheating Frequency vs. Temp.

Typical Characteristics (Continued)

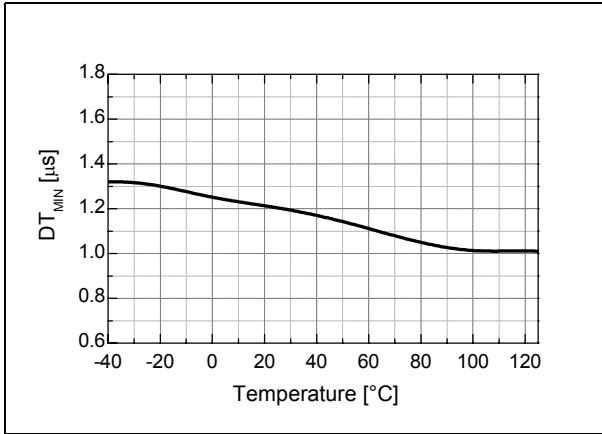


Figure 16. Minimum Dead Time vs. Temp.

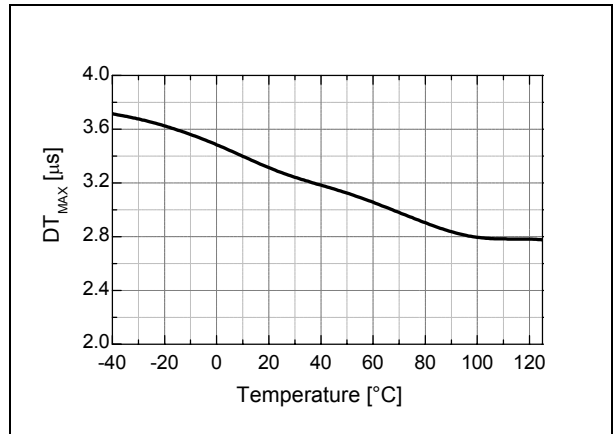


Figure 17. Maximum Dead Time vs. Temp.

Typical Application Information

1. Under-Voltage Lockout (UVLO) Function

The FAN7711 has UVLO circuits for both high-side and low-side circuits. When V_{DD} reaches $V_{DDTH(ST+)}$, UVLO is released and the FAN7711 operates normally. At UVLO condition, FAN7711 consumes little current, noted I_{ST} . Once UVLO is released, FAN7711 operates normally until V_{DD} goes below $V_{DDTH(ST-)}$, the UVLO hysteresis. At UVLO condition, all latches that determine the status of the IC are reset. When the IC is in the shutdown mode, the IC can restart by lowering V_{DD} voltage below $V_{DDTH(ST-)}$.

FAN7711 has a high-side gate driver circuit. The supply for the high-side driver is applied between V_B and V_S . To protect the malfunction of the driver at low supply voltage, between V_B and V_S , FAN7711 provides an additional UVLO circuit between the supply rails. If $V_B - V_S$ is under $V_{HSTH(ST+)}$, the driver holds low-state to turn off the high-side switch, as shown in Figure 18. As long as $V_B - V_S$ is higher than $V_{HSTH(ST-)}$ after $V_B - V_S$ exceeds $V_{HSTH(ST+)}$, operation of the driver continues.

2. Oscillator

The ballast circuit for a fluorescent lamp is based on the LCC resonant tank and a half-bridge inverter circuit, as shown in Figure 18. To accomplish Zero-Voltage Switching (ZVS) of the half-bridge inverter circuit, the LCC is driven at a higher frequency than its resonant frequency, which is determined by L , C_S , C_P , and R_L , where R_L is the equivalent lamp's impedance.

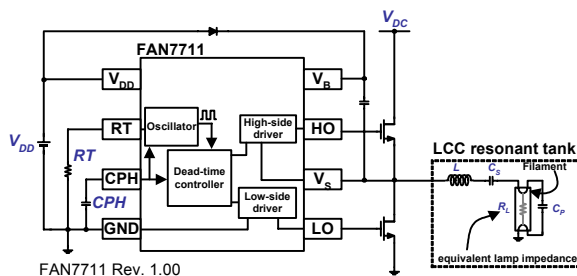


Figure 18. Resonant Inverter Circuit Based on LCC Resonant Tank

The transfer function of LCC resonant tank is heavily dependent on the lamp impedance, R_L , as illustrated in Figure 19. The oscillator in FAN7711 generates effective driving frequencies to assist lamp ignition and improve lamp life longevity. Accordingly, the oscillation frequency is changed in the following sequence:

Preheating freq.->Ignition freq.-> Normal running freq.

Before the lamp is ignited, the lamp impedance is very high. Once the lamp is turned on, the lamp impedance significantly decreases. Since the resonant peak is very high due to the high-resistance of the lamp at the instant of turning on the lamp, the lamp must be driven at higher frequency than the resonant frequency, shown as (A) in Figure 19. In this mode, the current supplied by the inverter mainly flows through C_P . C_P connects both filaments and makes the current path to ground. As a result, the current warms up the filament for easy ignition. The amount of the current can be adjusted by controlling the oscillation frequency or changing the capacitance of C_P . The driving frequency, f_{PRE} , is called preheating frequency and is derived by:

$$f_{PRE} = 1.6 \times f_{OSC} \quad (EQ 1)$$

After the warm-up, the FAN7711 decreases the frequency, shown as (B) of Figure 19. This action increases the voltage of the lamp and helps the fluorescent lamp ignite. The ignition frequency is described as a function of CPH voltage, as follows:

$$f_{IG} = [0.3 \times (5 - V_{CPH}) + 1] \times f_{OSC} \quad (EQ 2)$$

where V_{CPH} is the voltage of CPH capacitor.

Equation 2 is valid only when V_{CPH} is between 3V to 5V before FAN7711 enters running mode. Once V_{CPH} reaches 5V, the internal latch records the exit from ignition mode. Unless V_{DD} is below $V_{DDTH(ST-)}$, the preheating and ignition modes appear only once during lamp start transition.

Finally, the lamp is driven at a fixed frequency by an external resistor, R_T , shown as (C) of Figure 19. If V_{DD} is higher than $V_{DDTH(ST+)}$ and UVLO is released, the voltage of R_T pin is regulated to 4V. This voltage adjusts the oscillator's control current according to the resistance of R_T . Because this current and an internal capacitor set the oscillation frequency, the FAN7711 does not need any external capacitors.

The proposed oscillation characteristic is given by:

$$f_{OSC} = \frac{4 \times 10^9}{RT} \quad (EQ 3)$$

Even in the active ZVS mode, shown as (D) in Figure 19, the oscillation frequency is not changed. The dead-time is varied according to the resonant tank characteristic.

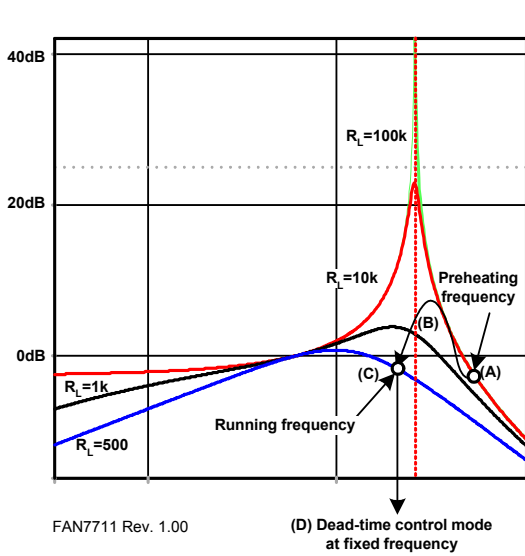


Figure 19. LCC Transfer Function in Terms of Lamp Impedance

3. Operation Modes

FAN7711 has four operation modes: (A) preheating mode, (B) ignition mode, (C) active ZVS mode, and (D) shutdown mode, depicted in Figure 20. The modes are automatically selected by the voltage of CPH capacitor, shown in Figure 20. In modes (A) and (B), the CPH acts as a timer to determine the preheating and ignition times. After the preheating and ignition modes, the role of the CPH is changed to stabilize the active ZVS control circuit. In this mode, the dead time of the inverter is selected by the voltage of CPH. Only when FAN7711 is in active ZVS mode is it possible to shut off the whole system using CPH pin. Pulling the CPH pin below 2V in active ZVS mode, causes the FAN7711 to enter shutdown mode. In shutdown mode, all active operation is stopped, except UVLO and some bias circuitry. The shutdown mode is triggered by the external CPH control or the active ZVS circuit. The active ZVS circuit automatically detects lamp removal (open-lamp condition) and decreases CPH voltage below 2V to protect the inverter switches from damage.

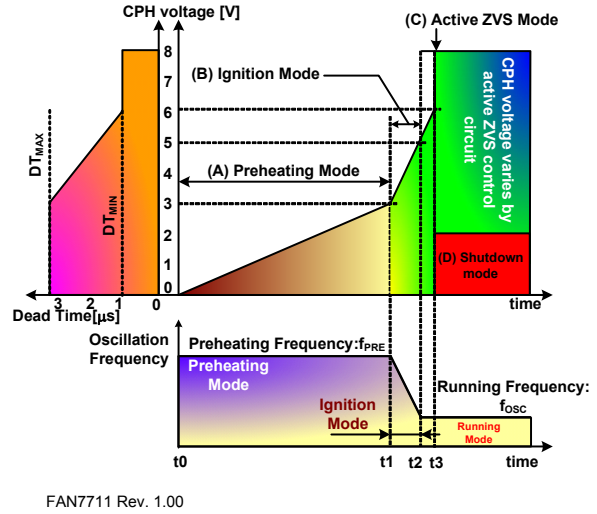


Figure 20. Operation Modes

3.1 Preheating Mode (t0~t1)

When V_{DD} exceeds $V_{DDTH(ST+)}$, the FAN7711 starts operation. At this time, an internal current source (I_{PH}) charges CPH. CPH voltage increases from 0V to 3V in preheating mode. Accordingly, the oscillation frequency follows the Equation 4. In this mode, the lamp is not ignited, but warmed up for easy ignition. The preheating time depends on the size of CPH:

$$f_{preheat} = \frac{3 \times CPH}{I_{PH}} \text{ [Sec.]} \quad \text{(EQ 4)}$$

According to preheating process, the voltage across the lamp to ignite is reduced and the lifetime of the lamp is increased. In this mode, the dead time is fixed at its maximum value.

3.2 Ignition Mode (t1~t2)

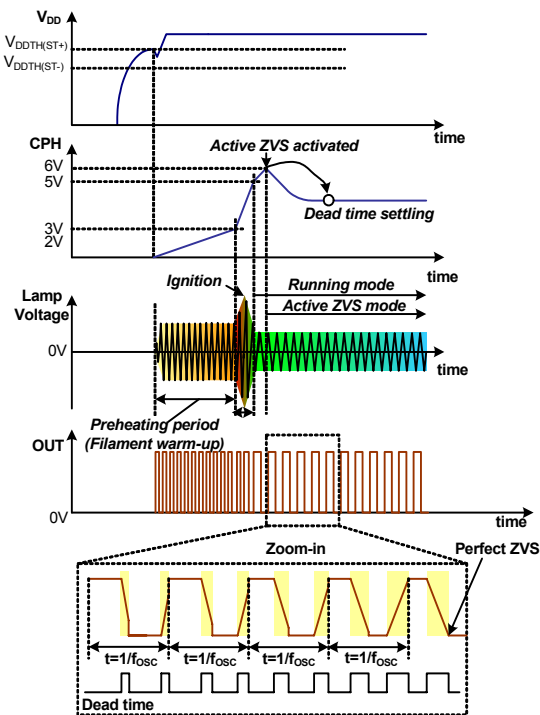
When the CPH voltage exceeds 3V, the internal current source to charge CPH is increased about six times larger than I_{PH} , noted as I_{IG} , causing rapid increase in CPH voltage. The internal oscillator decreases the oscillation frequency from f_{PRE} to f_{OSC} as CPH voltage increases. As depicted in Figure 20, lowering the frequency increases the voltage across the lamp. Finally, the lamp ignites. Ignition mode is defined when CPH voltage lies between 3V and 5V. Once CPH voltage reaches 5V, the FAN7711 does not return to ignition mode, even if the CPH voltage is in that range, until the FAN7711 restarts from below $V_{DDTH(ST-)}$. Since the ignition mode continues when CPH is from 3V to 5V, the ignition time is given by:

$$t_{ignition} = \frac{2 \times CPH}{I_{IG}} \text{ [Sec.]} \quad \text{(EQ 5)}$$

In this mode, dead time varies according to the CPH voltage.

3.3 Running and Active Zero-Voltage Switching (AZVS) Modes (t2~)

When CPH voltage exceeds 5V, the operating frequency is fixed to f_{OSC} by RT. However, active ZVS operation is not activated until CPH reaches ~6V. The FAN7711 prepares for active ZVS operation from the instant CPH exceeds 5V during t2 to t3. When CPH becomes higher than ~6V at t3, the active ZVS operation is activated. To determine the switching condition, FAN7711 detects the transition time of the output (V_S pin) of the inverter. From the output-transition information, FAN7711 controls the dead time to meet the ZVS condition. If ZVS is satisfied, the FAN7711 slightly increases the CPH voltage to reduce the dead time and to find optimal dead time, which increases the efficiency and decreases the thermal dissipation and EMI of the inverter switches. If ZVS fails, the FAN7711 decreases CPH voltage to increase the dead time. CPH voltage is adjusted to meet optimal ZVS operation. During the active ZVS mode, the amount of the charging/discharging current is the same as I_{PH} . Figure 21 depicts normal operation waveforms.

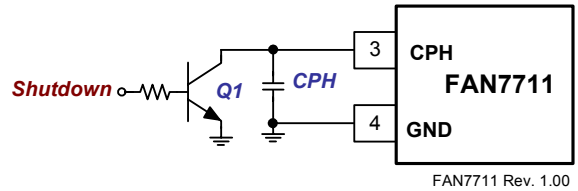


FAN7711 Rev. 1.00

Figure 21. Typical Transient Waveform from Preheating to Active ZVS Mode

3.4 Shutdown Mode

If the voltage of capacitor CPH is decreased below ~2.6V by an external application circuit or internal protection circuit, the IC enters shutdown mode. Once the IC enters shutdown mode, this status continues until an internal latch is reset by decreasing V_{DD} below $V_{DDTH(ST-)}$. Figure 22 shows an example of external shutdown control circuit.



FAN7711 Rev. 1.00

Figure 22. External Shutdown Circuit

The amount of the CPH charging current is the same as I_{PH} , making it possible to shut off the IC using small signal transistor. FAN7711 provides active ZVS operation by controlling the dead time according to the voltage of CPH. If ZVS fails, even at the maximum dead time, FAN7711 stops driving the inverter.

The FAN7711 thermal shutdown circuit senses the junction temperature of the IC. If the temperature exceeds ~160°C, the thermal shutdown circuit stops operation of the FAN7711.

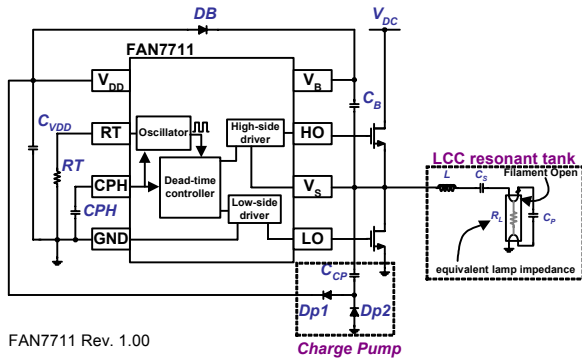
The current usages of shutdown mode and under-voltage lockout status are different. In shutdown mode, some circuit blocks, such as bias circuits, are kept alive. Therefore, the current consumption is slightly higher than during under-voltage lockout.

4. Automatic Open-Lamp Detection

FAN7711 can automatically detect the open-lamp condition. When the lamp is opened, the resonant tank fails to make a closed-loop to the ground, as shown in Figure 23. The supplied current from the V_S pin is used to charge and discharge the charge pump capacitor, C_P . Since the open-lamp condition means resonant tank absence, it is impossible to meet ZVS condition. In this condition, the power dissipation of the FAN7711, due to capacitive load drive, is estimated as:

$$P_{Dissipation} = \frac{1}{2} \times C_P \times V_{DC}^2 \times f \quad [W] \quad (EQ 6)$$

where f is driving frequency and V_{DC} is DC-link voltage.

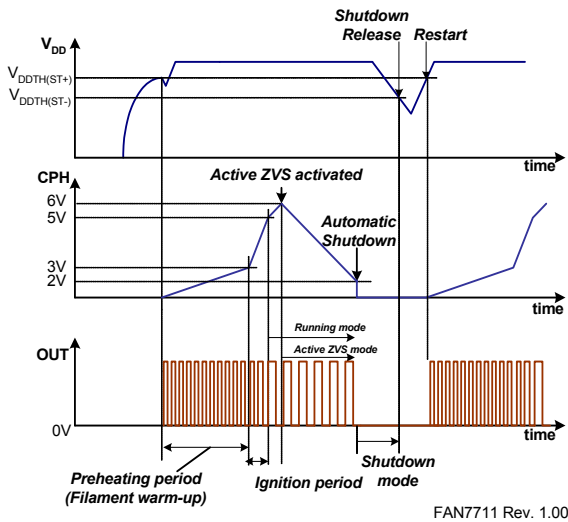


FAN7711 Rev. 1.00

Figure 23. Current Flow When the Lamp is Open

Assuming that C_P , V_{DC} , and f are 1nF, 311V, and 50kHz, respectively; the power dissipation reaches about 2.4W and the temperature of FAN7711 is increased rapidly. If no protection is provided, the IC can be damaged by the thermal attack. Note that hard-switching condition during the capacitive-load drive causes lots of EMI.

Figure 24 illustrates the waveforms during the open-lamp condition. In this condition, the charging and discharging current of C_P is directly determined by FAN7711 and considered hard-switching condition. The FAN7711 tries to meet ZVS condition by decreasing CPH voltage to increase dead time. If ZVS fails and CPH goes below 2V, even though the dead time reaches its maximum value, FAN7711 shuts off the IC to protect against damage. To restart FAN7711, V_{DD} must be below $V_{DDTH(ST-)}$ to reset an internal latch circuit, which remembers the status of the IC.

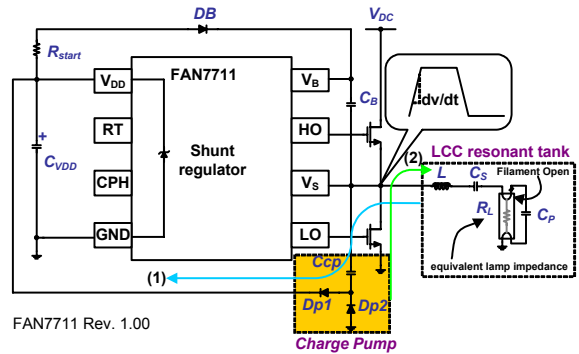


FAN7711 Rev. 1.00

Figure 24. CPH Voltage Variation in Open-Lamp Condition

5. Power Supply

When V_{DD} is lower than $V_{DDTH(ST+)}$, it consumes very little current, I_{ST} , making it possible to supply current to the V_{DD} pin using a resistor with high resistance (R_{start} in Figure 25). Once UVLO is released, the current consumption is increased and whole circuits are operated, which requires additional power supply for stable operation. The supply must deliver at least several mA. A charge pump circuit is a cost-effective method to create an additional power supply and allows C_P to be used to reduce the EMI.



FAN7711 Rev. 1.00

Figure 25. Local Power Supply for V_{DD} Using a Charge Pump Circuit

As presented in Figure 25, when V_S is high, the inductor current and C_{CP} create an output transition with the slope of dv/dt . The rising edge of V_S charges C_{CP} . At that time, the current that flows through C_{CP} is:

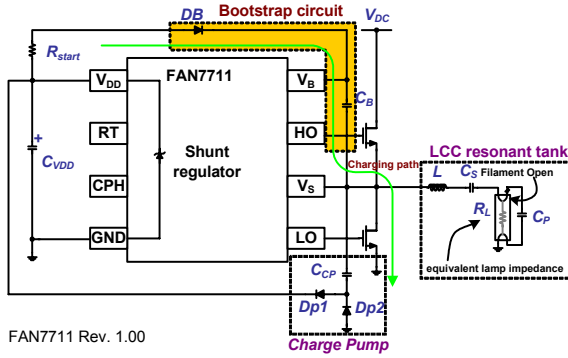
$$I \cong C_{CP} \times \frac{dv}{dt} \quad (\text{EQ 7})$$

This current flows along the path (1). It charges C_{VDD} , which is a bypass capacitor to reduce the noise on the supply rail. If C_{VDD} is charged over the threshold voltage of the internal shunt regulator, the shunt regulator is turned on and regulates V_{DD} with the trigger voltage.

When V_S is changing from high to low state, C_{CP} is discharged through $Dp2$, shown as path (2) in Figure 26. These charging/discharging operations are continued until FAN7711 is halted by shutdown operation. The charging current, I , must be large enough to supply the operating current of FAN7711.

The supply for the high-side gate driver is provided by the boot-strap technique, as illustrated in Figure 26. When the low-side MOSFET connected between V_S and GND pins is turned on, the charging current for V_B flows through D_B . Every low V_S gives the chance to charge the C_B . Therefore C_B voltage builds up only when FAN7711 operates normally.

When V_S goes high, the diode D_B is reverse-biased and C_B supplies the current to the high-side driver. At this time, since C_B discharges, $V_B - V_S$ voltage decreases. If $V_B - V_S$ goes below $V_{HSTH(ST)}$, the high-side driver cannot operate due to the high-side UVLO protection circuit. C_B must be chosen to be large enough not to fall into UVLO range due to the discharge during a half of the oscillation period, especially when the high-side MOSFET is turned on.



FAN7711 Rev. 1.00

Figure 26. Implementation of Floating Power Supply Using the Bootstrap Method

Design Guide

1. Start-up Circuit

The start-up current (I_{ST}) is supplied to the IC through the start-up resistor, R_{start} . Once operation starts, the power is supplied by the charge pump circuit. To reduce the power dissipation in R_{start} , select R_{start} as high as possible, considering the current requirements at start-up. For 220V_{AC} power, the rectified voltage by the full-wave rectifier makes DC voltage, as shown in Equation 8. The voltage contains lots of AC component due to poor regulation characteristic of the simple full-wave rectifier:

$$V_{DC} = \sqrt{2} \times 220[V] \cong 311[V] \quad (\text{EQ 8})$$

Considering the selected parameters, R_{start} must satisfy the following equation:

$$\frac{V_{DC} - V_{DDTH(ST+)}}{R_{start}} > I_{ST} \quad (\text{EQ 9})$$

From Equation 9, R_{start} is selected as:

$$\frac{V_{DC} - V_{DDTH(ST+)}}{I_{ST}} > R_{start} \quad (\text{EQ 10})$$

Note that if choosing the maximum R_{start} , it takes long time for V_{DD} to reach $V_{DDTH(ST+)}$. Considering V_{DD} rising time, R_{start} must be selected as shown in Figure 30.

Another important concern for choosing R_{start} is the available power rating of R_{start} . To use a commercially available, low-cost 1/4Ω resistor, R_{start} must obey the following rule:

$$\frac{(V_{DC} - V_{CL})^2}{R_{start}} < \frac{1}{4} [W] \quad (\text{EQ 11})$$

Assuming $V_{DC}=311V$ and $V_{CL}=15V$, the minimum resistance of R_{start} is about 350kΩ.

When the IC operates in shutdown mode due to thermal protection, open-lamp protection, or hard-switching protection, the IC consumes shutdown current, I_{SD} , which is larger than I_{ST} . To prevent restart during this mode, R_{start} must be selected to cover I_{SD} current consumption. The following equation must be satisfied:

$$\frac{V_{DC} - V_{DDTH(ST+)}}{I_{SD}} > R_{start} \quad (\text{EQ 12})$$

From Equations 10 - 12; it is possible to select R_{start} :

(1) For safe start-up without restart in shutdown mode:

$$4(V_{DC} - V_{CL})^2 < R_{start} < \frac{V_{DC} - V_{DDTH(ST+)}}{I_{SD}} \quad (\text{EQ 13})$$

(2) For safe start-up with restart from shutdown mode:

$$\frac{V_{DC} - V_{DDTH(ST+)}}{I_{SD}} < R_{start} < \frac{V_{DC} - V_{DDTH(ST+)}}{I_{ST}} \quad (\text{EQ 14})$$

If R_{start} meets Equation 14, restart operation is possible. However, it is not recommended to choose R_{start} at that range because V_{DD} rising time could be long and it increases the lamp's turn-on delay time, as depicted in Figure 27.

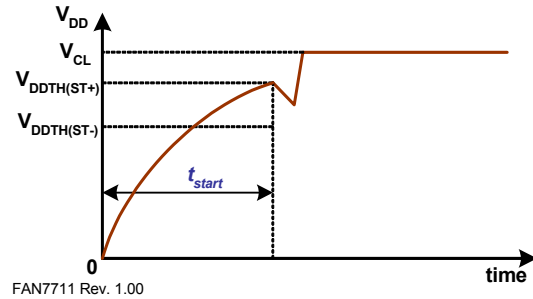


Figure 27. V_{DD} Build-up

Figure 28 shows the equivalent circuit for estimating t_{start} . From the circuit analysis, V_{DD} variation versus time is given by:

$$V_{DD}(t) = (V_{DC} - R_{start} \cdot I_{ST}) \left(1 - e^{-t/(R_{start} \cdot C_{VDD})}\right) \quad (\text{EQ 15})$$

where C_{VDD} is the total capacitance of the bypass capacitors connected between V_{DD} and GND.

From Equation 15, it is possible to calculate t_{start} by substituting $V_{DD}(t)$ with $V_{DDTH(ST+)}$:

$$t_{start} = -R_{start} \cdot C_{VDD} \cdot \ln \frac{V_{DC} - R_{start} \cdot I_{ST} - V_{DDTH(ST+)}}{V_{DC} - R_{start} \cdot I_{ST}} \quad (\text{EQ 16})$$

In general, Equation 16 can be simplified as:

$$t_{start} \approx \frac{R_{start} \cdot C_{VDD} \cdot V_{DDTH(ST+)}}{V_{DC} - R_{start} \cdot I_{ST} - V_{DDTH(ST+)}} \quad (\text{EQ 17})$$

Accordingly, t_{start} can be controlled by adjusting the value of R_{start} and C_{VDD} . For example, if $V_{DC}=311V$, $R_{start}=560k$, $C_{VDD}=10\mu F$, $I_{st}=120\mu A$, and $V_{DDTH(ST+)}=13.5V$, t_{start} is about 0.33s.

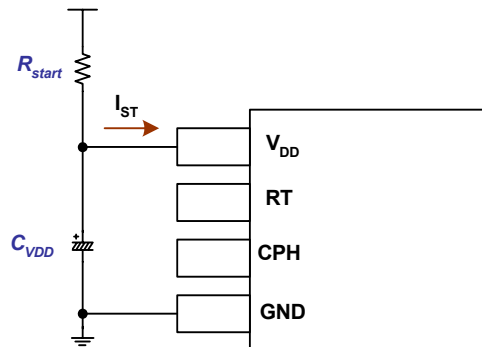


Figure 28. Equivalent Circuit During Start

2. Current Supplied by Charge Pump

For the IC supply, the charge pump method is used in Figure 29. Since C_{CP} is connected to the half-bridge output, the supplied current by C_{CP} to the IC is determined by the output voltage of the half-bridge.

When the half-bridge output shows rising slope, C_{CP} is charged and the charging current is supplied to the IC. The current can be estimated as:

$$I = C_{CP} \frac{dV}{dt} \approx C_{CP} \frac{V_{DC}}{DT} \quad (EQ 18)$$

where DT is the dead time and dV/dt is the voltage variation of the half-bridge output.

When the half-bridge shows falling slope, C_{CP} is discharged through $Dp2$. Total supplied current, I_{total} , to the IC during switching period, t , is:

$$I_{total} = I \cdot DT = C_{CP} \cdot V_{DC} \quad (EQ 19)$$

From Equation 19, the average current, I_{avg} , supplied to the IC is obtained by:

$$I_{avg} = \frac{I_{total}}{t} = \frac{C_{CP} \cdot V_{DC}}{t} = C_{CP} \cdot V_{DC} \cdot f \quad (EQ 20)$$

For the stable operation, I_{avg} must be higher than the required current. If I_{avg} exceeds the required current, the residual current flows through the shunt regulator implemented on the chip, which can cause unwanted heat generation. Therefore, C_{CP} must be selected considering stable operation and thermal generation.

For example, if $C_{CP}=0.5nF$, $V_{DC}=311V$, and $f=50kHz$, I_{avg} is $\sim 7.8mA$; it is enough current for stable operation.

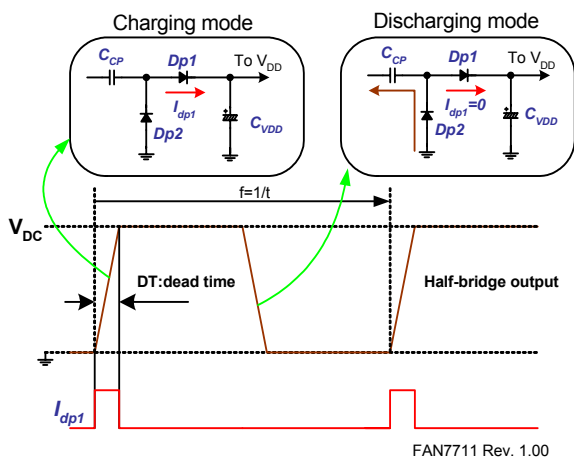


Figure 29. Charge Pump Operation

3. Lamp Turn-on Time

The turn-on time of the lamp is determined by supply build-up time t_{start} , preheating time, and ignition time; where t_{start} has been obtained by Equation 17. When the IC's supply voltage exceeds $V_{DDTH(ST+)}$ after turn-on or restart, the IC operates in preheating mode. This operation continues until CPH pin's voltage reaches $\sim 3V$. In this mode, CPH capacitor is charged by I_{PH} current, as depicted in Figure 30. The preheating time is achieved by calculating:

$$t_{preheat} = 3 \frac{CPH}{I_{PH}} \quad (EQ 21)$$

The preheating time is related to lamp life (especially filament); therefore, the characteristics of a given lamp should be considered when choosing the time.

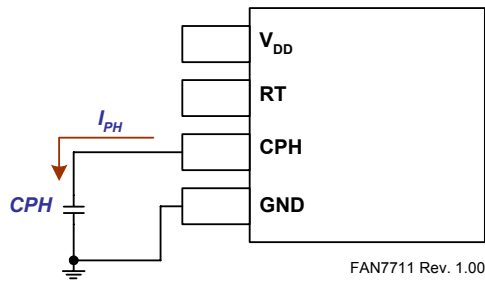


Figure 30. Preheating Timer

Compared to the preheating time, it is almost impossible to exactly predict the ignition time, whose definition is the time from the end of the preheating time to ignition. In general, the lamp ignites during the ignition mode. Therefore, assume that the maximum ignition time is the same as the duration of ignition mode, from 3V until CPH reaches 5V. Thus, ignition time can be defined as:

$$t_{ignition} = (5 - 3) \frac{CPH}{I_{IG}} = 2 \frac{CPH}{I_{IG}} \quad (EQ 22)$$

Note that, at ignition mode, CPH is charged by I_{IG} , which is six times larger than I_{PH} . Consequently, total turn-on time is approximately:

$V_{DD} \text{ Build-Time} + \text{Preheating Time} + \text{Ignition Time} =$

$$t_{ignition} = (5 - 3) \frac{CPH}{I_{IG}} = 2 \frac{CPH}{I_{IG}} \text{ [Sec.]} \quad (EQ 23)$$

4. PCB Guide line

Component selection and placement on the PCB is very important when using power control ICs. Bypass the V_{CC} to GND as close to the IC terminals as possible with a low-ESR/ESL capacitor, as shown in Figure 31. This bypassed capacitor (Cbp) can reduce the noise from the power supply parts, such as start-up resistor and charge pump.

The signal GND must be separated from the power GND. So, the signal GND should be directly connected to the rectify capacitor using an individual PCB trace.

In addition, the ground return path of the timing components (CPH, RT) and V_{DD} decoupling capacitor should be connected directly to the IC GND lead and not via separate traces or jumpers to other ground traces on the board. These connection techniques prevent high-current ground loops from interfering with sensitive timing component operations and allow the entire control circuit to reduce common-mode noise due to output switching.

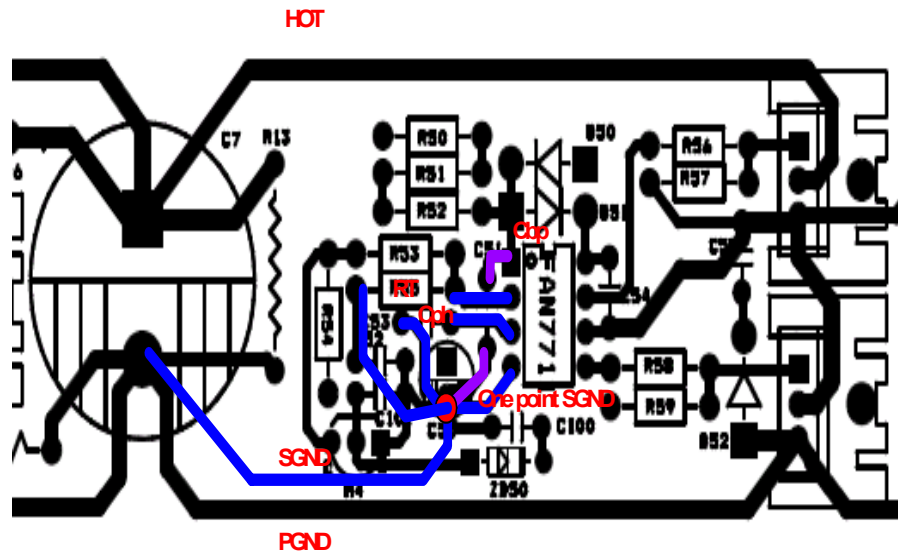


Figure 31. Preheating Timer

Typical Application Diagram

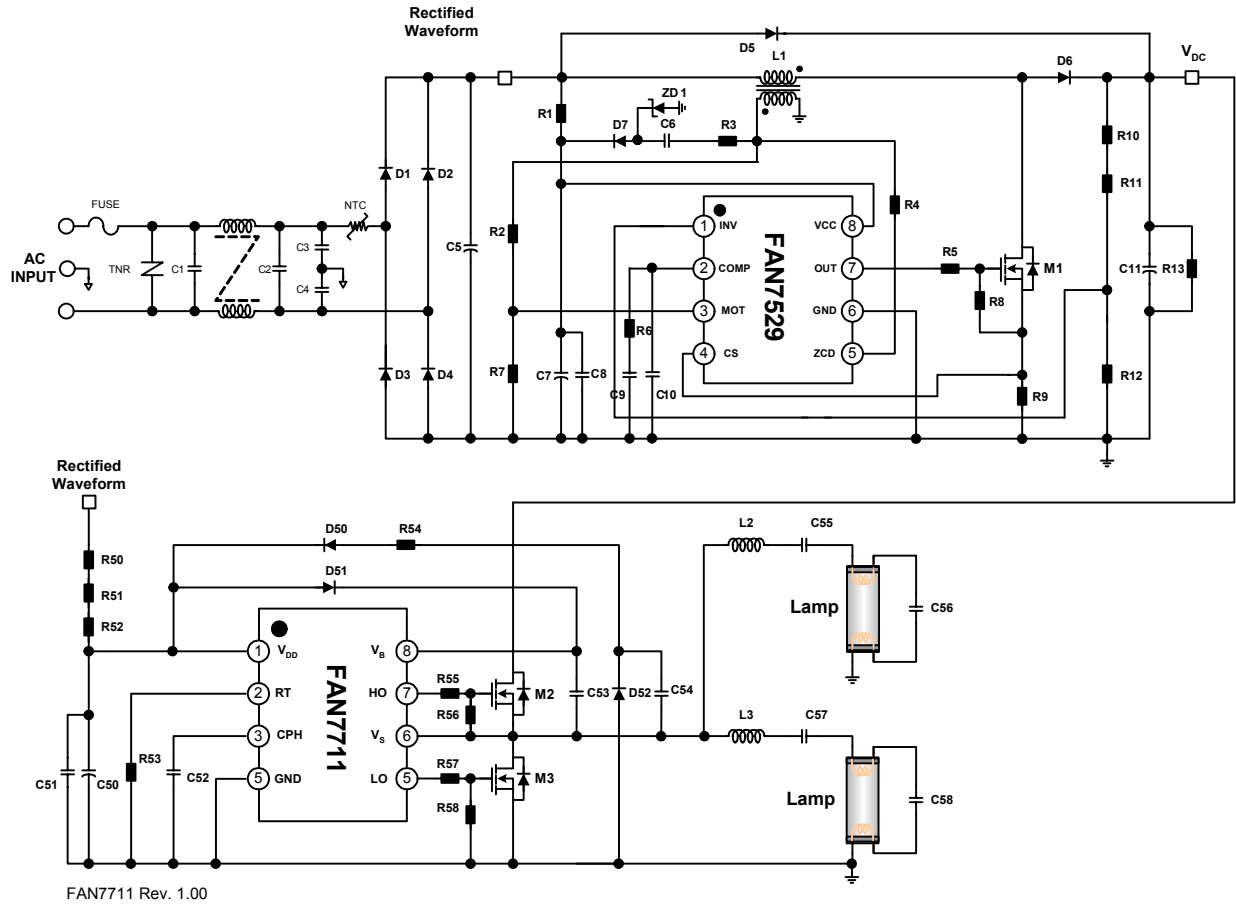


Figure 32. Application Circuit of 32W Two Lamps

Component List for 32W Two Lamps

Part	Value	Note	Part	Value	Note
Resistor			C55	15nF/630V	Miller Capacitor
R1	330k Ω	1/2W	C56	2.2nF/1kV	Miller Capacitor
R2	750k Ω	1/4W	C57	15nF/630V	Miller Capacitor
R3	100 Ω	1/2W	C58	2.2nF/1kV	Miller Capacitor
R4	20k Ω	1/4W	Diode		
R5	47 Ω	1/4W	D1	1N4007	1kV,1A
R6	10k Ω	1/4W	D2	1N4007	1kV,1A
R7	50k Ω	1/4W	D3	1N4007	1kV,1A
R8	47k Ω	1/4W	D4	1N4007	1kV,1A
R9	0.3 Ω	1W	D5	UF4007	Ultra Fast,1kV,1A
R10	1M Ω	1/4W	D6	UF4007	Ultra Fast,1kV,1A
R11	1M Ω	1/4W	D7	1N4148	100V,1A
R12	12.6k Ω	1/4W,1%	D50	UF4007	Ultra Fast,1kV,1A
R13	220k Ω	2W	D51	UF4007	Ultra Fast,1kV,1A
R50	150k Ω	1/4W	D52	UF4007	Ultra Fast,1kV,1A
R51	150k Ω	1/4W	ZD1	IN4746A	Zener 18V, 1W
R52	150k Ω	1/4W	MOSFET		
R53	90k Ω	1/4W,1%	M1	FQPF5N60C	500V,6A
R54	10 Ω	1/4W	M2	FQPF5N50C	500V,5A
R55	47 Ω	1/4W	M3	FQPF5N50C	500V,5A
R56	47k Ω	1/4W	Fuse		
R57	47 Ω	1/4W	Fuse	3A/250V	
R58	47k Ω	1/4W	TNR		
Capacitor			TNR	471	
C1	47nF/275V _{AC}	Box Capacitor	NTC		
C2	150nF/275V _{AC}	Box Capacitor	NTC	10D-09	
C3	2200pF/3kV	Ceramic Capacitor	Line Filter		
C4	2200pF/3kV	Ceramic Capacitor	LF1	40mH	
C5	0.22 μ F/630V	Miller Capacitor	Transformer		
C6	12nF/50V	Ceramic Capacitor	L1	0.94mH(75T:10T)	EI2820
C7	22 μ F/50V	Electrolytic Capacitor	Inductor		
C8	1 μ F/50V	Ceramic Capacitor	L2	3.2mH(130T)	EI2820
C9	1 μ F/50V	Ceramic Capacitor	L3	3.2mH(130T)	EI2820
C10	0.1 μ F/50V	Ceramic Capacitor	IC		
C11	47 μ F/450V	Electrolytic Capacitor	U1	FAN7711	Fairchild Semiconductor
C50	10 μ F/50V	Electrolytic Capacitor	U2	FAN7529	Fairchild Semiconductor
C51	1 μ F/50V	Ceramic Capacitor			
C52	0.47 μ F/25V	Ceramic Capacitor,5%			
C53	100nF/50V	Ceramic Capacitor			
C54	470pF/1kV	Ceramic Capacitor			

Component List for 20W CFL

Part	Value	Note	Part	Value	Note
Resistor			Diode		
R1	560k Ω	1/4W	D1	1N4007	1kV/1A
R2	90k Ω	1/4W	D2	1N4007	1kV/1A
R3	10 Ω	1/4W	D3	1N4007	1kV/1A
R4	47 Ω	1/4W	D4	1N4007	1kV/1A
R5	47 Ω	1/4W	D5	UF4007	1kV/1A,Ultra Fast
			D6	UF4007	1kV/1A,Ultra Fast
			D7	UF4007	1kV/1A,Ultra Fast
Capacitor			Inductor		
C1	22 μ F/250V	Electrolytic Capacitor	L1	2.5mH (280T)	EE1616S
C2	10 μ F/50V	Electrolytic Capacitor	MOSFET		
C3	470nF/25V	Miller Capacitor	Q1	FQPF1N50C	500V,1A
C4	100nF/25V	Miller Capacitor	Q2	FQPF1N50C	500V,1A
C5	470pF/630V	Miller Capacitor	IC		
C6	33nF/630V	Miller Capacitor	U1	FAN7711	Fairchild Semiconductor
C7	3.9nF/1kV	Miller Capacitor			

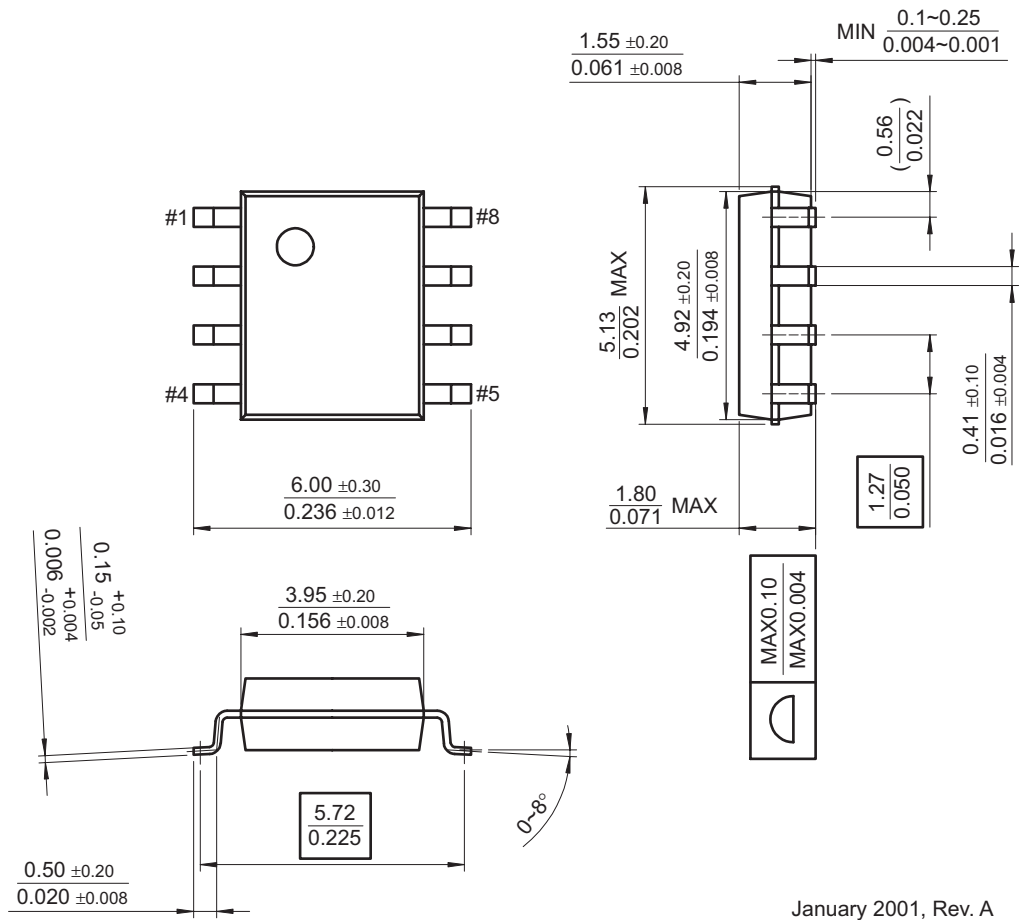
Note:

3. Refer to the typical application circuit provided in Figure 1.

Package Dimensions

8-SOP

Dimensions are in millimeters unless otherwise noted.



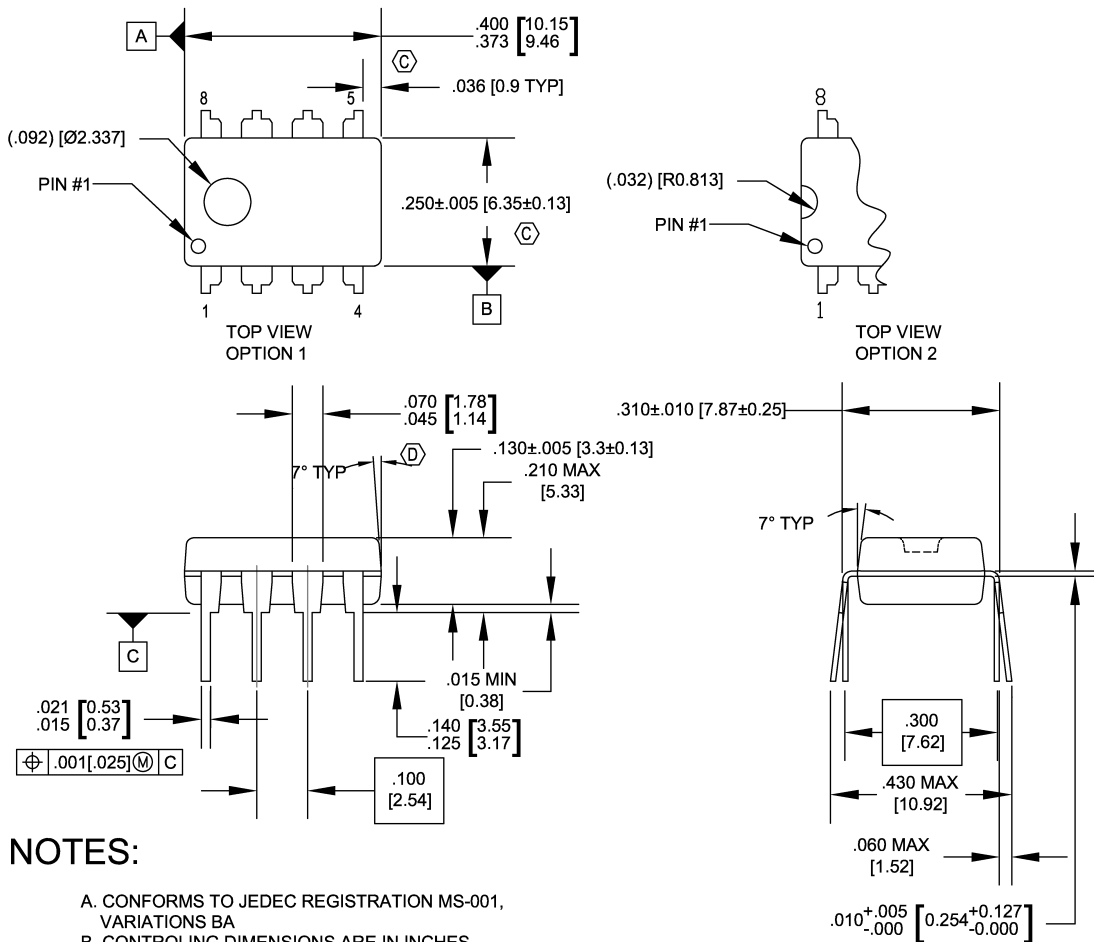
January 2001, Rev. A
sop8_dim.pdf

Figure 33. 8-Lead Small Outline Package (SOP)

Package Dimensions

8-DIP

Dimensions are in inches and [millimeters] unless otherwise noted.



NOTES:

- A. CONFORMS TO JEDEC REGISTRATION MS-001, VARIATIONS BA
- B. CONTROLLING DIMENSIONS ARE IN INCHES
REFERENCE DIMENSIONS ARE IN MILLIMETERS
- C. DOES NOT INCLUDE MOLD FLASH OR PROTRUSIONS.
MOLD FLASH OR PROTRUSIONS SHALL NOT EXCEED .010 INCHES OR 0.25MM.
- D. DOES NOT INCLUDE DAMBAR PROTRUSIONS.
DAMBAR PROTRUSIONS SHALL NOT EXCEED .010 INCHES OR 0.25MM.
- E. DIMENSIONING AND TOLERANCING PER ASME Y14.5M-1994.


N08EREVG

Figure 34. 8-Lead Dual In-Line Package (DIP)



TRADEMARKS

The following are registered and unregistered trademarks Fairchild Semiconductor owns or is authorized to use and is not intended to be an exhaustive list of all such trademarks.

ACEx [®]	HiSeC [™]	Programmable Active Droop [™]	TinyLogic [®]
Across the board. Around the world. [™]	<i>i-Lo</i> [™]	QFET [®]	TINYOPTO [™]
ActiveArray [™]	ImpliedDisconnect [™]	QS [™]	TinyPower [™]
Bottomless [™]	IntelliMAX [™]	QT Optoelectronics [™]	TinyWre [™]
Build it Now [™]	ISOPLANAR [™]	Quiet Series [™]	TruTranslation [™]
CoolFET [™]	MICROCOUPLER [™]	RapidConfigure [™]	μSerDes [™]
CROSSVOLT [™]	MicroPak [™]	RapidConnect [™]	UHC [®]
CTL [™]	MICROWIRE [™]	ScalarPump [™]	UniFET [™]
Current Transfer Logic [™]	MSX [™]	SMART START [™]	VCX [™]
DOME [™]	MSXPro [™]	SPM [®]	Wire [™]
E ² C MOS [™]	OCX [™]	STEALTH [™]	
EcoSPARK [®]	OCXPro [™]	SuperFET [™]	
EnSigna [™]	OPTOLOGIC [®]	SuperSOT [™] -3	
FACT Quiet Series [™]	OPTOPLANAR [®]	SuperSOT [™] -6	
FACT [®]	PACMAN [™]	SuperSOT [™] -8	
FAST [®]	POP [™]	SyncFET [™]	
FAST ^r [™]	Power220 [®]	TCM [™]	
FPST [™]	Power247 [®]	The Power Franchise [®]	
FRFET [®]	PowerEdge [™]	 ™	
GlobalOptoisolator [™]	PowerSaver [™]	TinyBoost [™]	
GTO [™]	PowerTrench [®]	TinyBuck [™]	

DISCLAIMER

FAIRCHILD SEMICONDUCTOR RESERVES THE RIGHT TO MAKE CHANGES WITHOUT FURTHER NOTICE TO ANY PRODUCTS HEREIN TO IMPROVE RELIABILITY, FUNCTION OR DESIGN. FAIRCHILD DOES NOT ASSUME ANY LIABILITY ARISING OUT OF THE APPLICATION OR USE OF ANY PRODUCT OR CIRCUIT DESCRIBED HEREIN; NEITHER DOES IT CONVEY ANY LICENSE UNDER ITS PATENT RIGHTS, NOR THE RIGHTS OF OTHERS. THESE SPECIFICATIONS DO NOT EXPAND THE TERMS OF FAIRCHILD'S WORLDWIDE TERMS AND CONDITIONS, SPECIFICALLY THE WARRANTY THEREIN, WHICH COVERS THESE PRODUCTS.

LIFE SUPPORT POLICY

FAIRCHILD'S PRODUCTS ARE NOT AUTHORIZED FOR USE AS CRITICAL COMPONENTS IN LIFE SUPPORT DEVICES OR SYSTEMS WITHOUT THE EXPRESS WRITTEN APPROVAL OF FAIRCHILD SEMICONDUCTOR CORPORATION.

As used herein:

1. Life support devices or systems are devices or systems which, (a) are intended for surgical implant into the body or (b) support or sustain life, and (c) whose failure to perform when properly used in accordance with instructions for use provided in the labeling, can be reasonably expected to result in a significant injury of the user.
2. A critical component in any component of a life support, device, or system whose failure to perform can be reasonably expected to cause the failure of the life support device or system, or to affect its safety or effectiveness.

PRODUCT STATUS DEFINITIONS

Definition of Terms

Datasheet Identification	Product Status	Definition
Advance Information	Formative or In Design	This datasheet contains the design specifications for product development. Specifications may change in any manner without notice.
Preliminary	First Production	This datasheet contains preliminary data; supplementary data will be published at a later date. Fairchild Semiconductor reserves the right to make changes at any time without notice to improve design.
No Identification Needed	Full Production	This datasheet contains final specifications. Fairchild Semiconductor reserves the right to make changes at any time without notice to improve design.
Obsolete	Not In Production	This datasheet contains specifications on a product that has been discontinued by Fairchild Semiconductor. The datasheet is printed for reference information only.

Rev. 124